



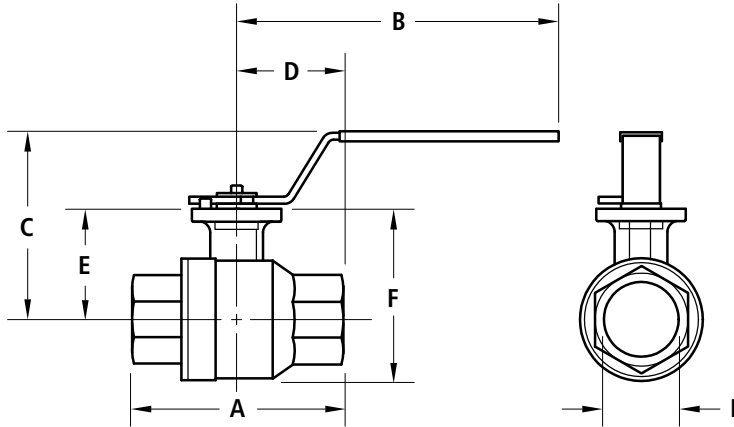
26 Series



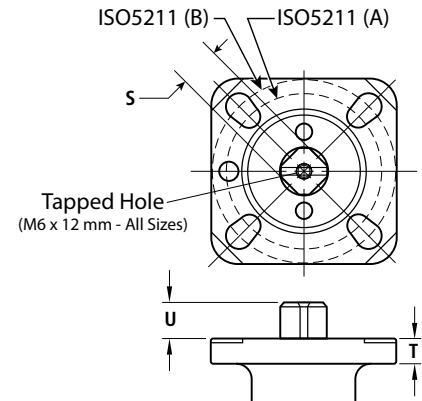
Stainless Steel 2-way Full Port Ball Valves

DIMENSIONS

NPT Threaded Connections



ISO5211 Direct Mount Actuator Pad



Line Size	A	B	C	D	E	F	ØI	S	T	U	ISO5211 (A/B)	Weight (lbs.)
1/4"	2.56"	5.14"	3.00"	1.28"	1.65"	2.42"	0.453"	9 mm	9 mm	7 mm	F03/F04	1.2
3/8"	2.56"	5.14"	3.00"	1.28"	1.65"	2.42"	0.500"	9 mm	9 mm	7 mm	F03/F04	1.2
1/2"	2.95"	5.14"	3.00"	1.47"	1.65"	2.42"	0.591"	9 mm	9 mm	7 mm	F03/F04	1.2
3/4"	3.15"	5.14"	3.16"	1.57"	1.77"	2.65"	0.787"	9 mm	9 mm	8 mm	F03/F04	1.4
1"	3.54"	7.50"	3.75"	1.77"	2.05"	3.13"	0.984"	11 mm	10 mm	11 mm	F04/F05	2.8
1 1/4"	4.33"	7.50"	3.75"	2.16"	2.28"	3.55"	1.260"	11 mm	10 mm	11 mm	F04/F05	3.7
1 1/2"	4.72"	8.10"	4.54"	2.36"	2.68"	4.25"	1.575"	14 mm	13 mm	14 mm	F05/F07	5.8
2"	5.51"	8.10"	4.54"	2.75"	3.03"	4.92"	1.970"	14 mm	13 mm	14 mm	F05/F07	8.8
3"	8.07"	11.85"	6.72"	4.03"	4.37"	7.25"	3.152"	17 mm	13 mm	17 mm	F07/F10	12.5



**Complete Valve Assembly
CAD Models & Datasheets
ON DEMAND!**



- **Complete Specs** for Each Component in **ONE Document**
- **Dimension Drawings** of Exact Assembly

