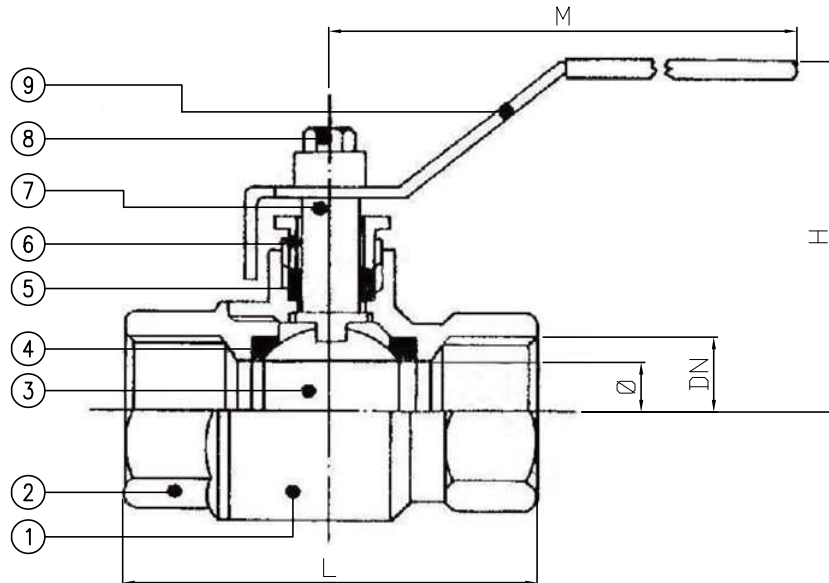


Title/Titolo <h3 style="text-align: center;">ISOLATION VALVES</h3>	Document No / Documento No <h3 style="text-align: center;">SA-015200-064</h3>	Sh/Fg Of/Di <h3 style="text-align: center;">10 13</h3>
---	--	---

Ø1/2" - Ø1" - Ø2" Ball Valve for Wet Parts

dimensions in mm; weight in kg/pc



POS.	DESCRIPTION	MATERIAL
1	BODY	BRONZE ASTM B62
2	END PLUG	C83600
3	BALL	ASTM B16 HARD C.P.
4	SEAT	P.T.F.E.
5	STEM SEAT	
6	THRUST WASHER	ASTM B16
7	STEM	
8	LEVER SCREW	ZINC PLATED STEEL
9	LEVER	ASTM A 105 Z.P. / PLASTIC PVC

DIMENSIONS					
DN Inch	Ø mm	L mm	M mm	H mm	Weight Kg
1/2	15	57	90	53	0.250
1	25	77	127	70	0.650
2	50	122	140	90	2.100

TECHNICAL DATA:

Type.....with lever
 Max. working pressure..... 34 bar
 Design temperature.....-20 to +160° C
 Threaded..... NPT F/F
 Finishing.....Natural
 Approval..... EN 10204 2.2

SUPPLIED QUANTITY: 21 PIECES Ø1/2"

2 PIECES Ø1"

21 PIECES Ø2"

see General Arrangement N. 00251121DVDG16702

see General Arrangement N. 00251121DVDG26702

see General Arrangement N. 00251121DVDG36702

see General Arrangement N. 00251121DVDG46702

see General Arrangement N. 00251121DVDG68727

see General Arrangement N. 00251121DVDG68728

see General Arrangement N. 00251121DVDG68729

see General Arrangement N. 00251121DVDG68730

see General Arrangement N. 00251121DVDG68731

4	24/07/14	AS BUILT	C.DM.	A.B.	D.P.
3	17/06/14	ISSUED FOR CONSTRUCTION	C.DM.	A.B.	D.P.
2	28/03/14	ISSUED FOR CONSTRUCTION	C.DM.	A.B.	D.P.
Rev.	Date/Data	Description/Descrizione	Issued/Emesso	Check/Contr	Approval/Approv.