

Title/Titolo

ISOLATION VALVES

Document No / Documento No

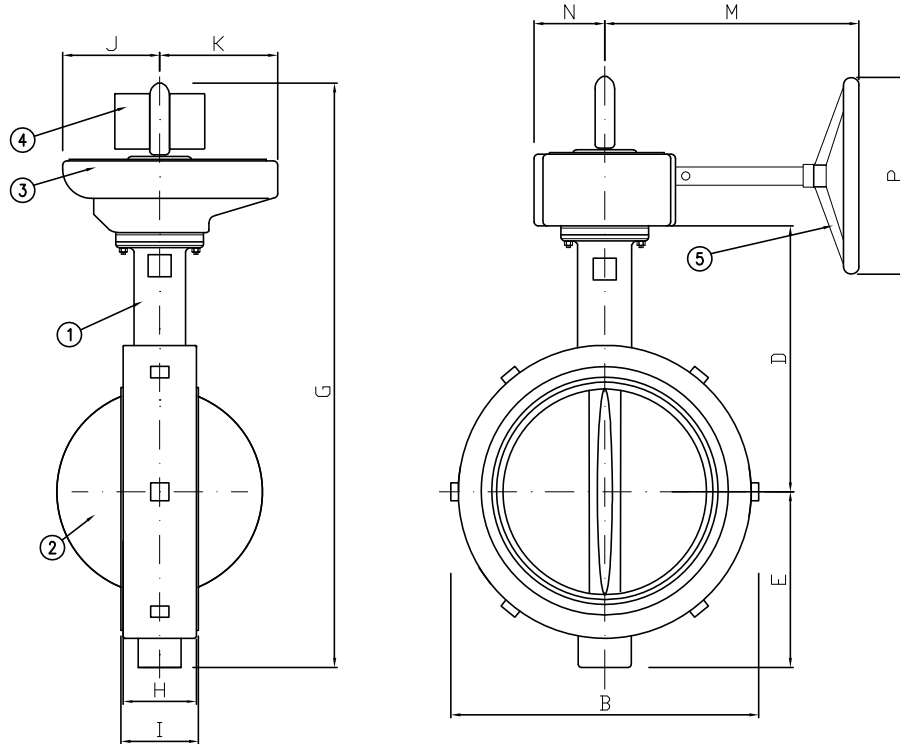
SA-015200-064

Sh/Fg Of/Di

4 13

Ø2"- Ø12" Butterfly Valve c/w handwheel

dimensions in mm; weight in kg/pc



DIMENSIONS																	
SIZE		B		D		E		G		H		I		J		K	
Inch	mm	Inch	mm	Inch	mm	Inch	mm	Inch	mm	Inch	mm	Inch	mm	Inch	mm	Inch	mm
2	50	4.88	124	5.38	137	2.88	73	12.75	324	1.68	43	1.81	46	2.91	74	3.54	90
2½	65	5.62	143	5.88	149	3.25	83	13.63	346	1.81	46	1.94	49	2.91	74	3.54	90
3	80	6.12	155	6.12	155	3.38	86	14.00	356	1.81	46	1.94	49	2.91	74	3.54	90
4	100	7.00	178	6.88	175	4.00	102	15.38	391	2.06	52	2.19	56	2.91	74	3.54	90
5	125	8.25	210	7.38	187	4.75	121	16.63	422	2.19	56	2.31	59	2.91	74	3.54	90
6	150	9.25	235	8.00	203	5.25	133	17.75	451	2.19	56	2.31	59	2.91	74	3.54	90
8	200	11.62	295	9.25	235	6.50	165	20.25	514	2.38	60	2.50	64	2.91	74	3.54	90
10	250	14.25	362	10.50	267	8.00	203	23.50	597	2.68	69	2.81	71	3.90	99	3.98	101
12	300	16.75	425	12.00	305	9.25	235	26.25	667	3.00	76	3.12	79	3.90	99	3.98	101

M		N		P		Weight	
Inch	mm	Inch	mm	Inch	mm	Lbs	Kg
5.82	148	2.13	54	5.9	150	21	10
5.82	148	2.13	54	5.9	150	24	11
5.82	148	2.13	54	5.9	150	24	11
5.82	148	2.13	54	5.9	150	27	12
7.64	194	2.13	54	5.9	150	31	14
7.64	194	2.13	54	5.9	150	34	15
7.91	201	2.13	54	9.8	250	49	22
9.49	241	3.03	77	18.0	457	78	35
9.49	241	3.03	77	18.0	457	103	47

POS.	DESCRIPTION	MATERIAL
1	BODY	DUCTILE IRON ASTM A536
2	DISC	DUCTILE IRON ASTM 395
3	GEAR OPERATOR	CAST IRON AND STEEL
4	INDICATOR FLAG	CAST IRON
5	HANDWHEEL	CAST IRON

4	24/07/14	AS BUILT	C.DM.	A.B.	D.P.
3	17/06/14	ISSUED FOR CONSTRUCTION	C.DM.	A.B.	D.P.
2	28/03/14	ISSUED FOR CONSTRUCTION	C.DM.	A.B.	D.P.
Rev.	Date/Data	Description/Descrizione	Issued/Emesso	Check/Contr	Approval/Approv.

Title/Titolo

ISOLATION VALVES

Document No / Documento No

SA-015200-064

Sh/Fg Of/Di

5 13

Ø2"- Ø12" Butterfly Valve c/w handwheel

dimensions in mm; weight in kg/pc



TECHNICAL DATA:

Type.....Wafer
 Stem material..... Stainless steel
 Seal material.....EPDM
 Max working pressure.....17.2 bar
 Design temperature.....Up to 82° C
 Installation.....Between flanges ANSI 150#
 Operation.....Gear Box
 Finishing.....Painted Gray Pantone # 433U
 Approval.....UL/FM

NOTE

Butterfly Valve c/w padlock and chain for locking handwheel

SUPPLIED QUANTITY: 6 PIECES Ø3"

71 PIECES Ø4"

21 PIECES Ø6"

12 PIECES Ø8"

17 PIECES Ø10"

4 PIECES Ø12"

see General Arrangement N. 00251121DVDG16702

see General Arrangement N. 00251121DVDG26702

see General Arrangement N. 00251121DVDG36702

see General Arrangement N. 00251121DVDG46702

see General Arrangement N. 00251121DVDG68727

see General Arrangement N. 00251121DVDG68728

see General Arrangement N. 00251121DVDG68729

see General Arrangement N. 00251121DVDG68731

see General Arrangement N. 00251121DVDG68735

see General Arrangement N. 00251121DVDG68736

4	24/07/14	AS BUILT	C.DM.	A.B.	D.P.
3	17/06/14	ISSUED FOR CONSTRUCTION	C.DM.	A.B.	D.P.
2	28/03/14	ISSUED FOR CONSTRUCTION	C.DM.	A.B.	D.P.
<i>Rev.</i>	<i>Date/Data</i>	<i>Description/Descrizione</i>	<i>Issued/Emesso</i>	<i>Check/Contr</i>	<i>Approval/Approv.</i>