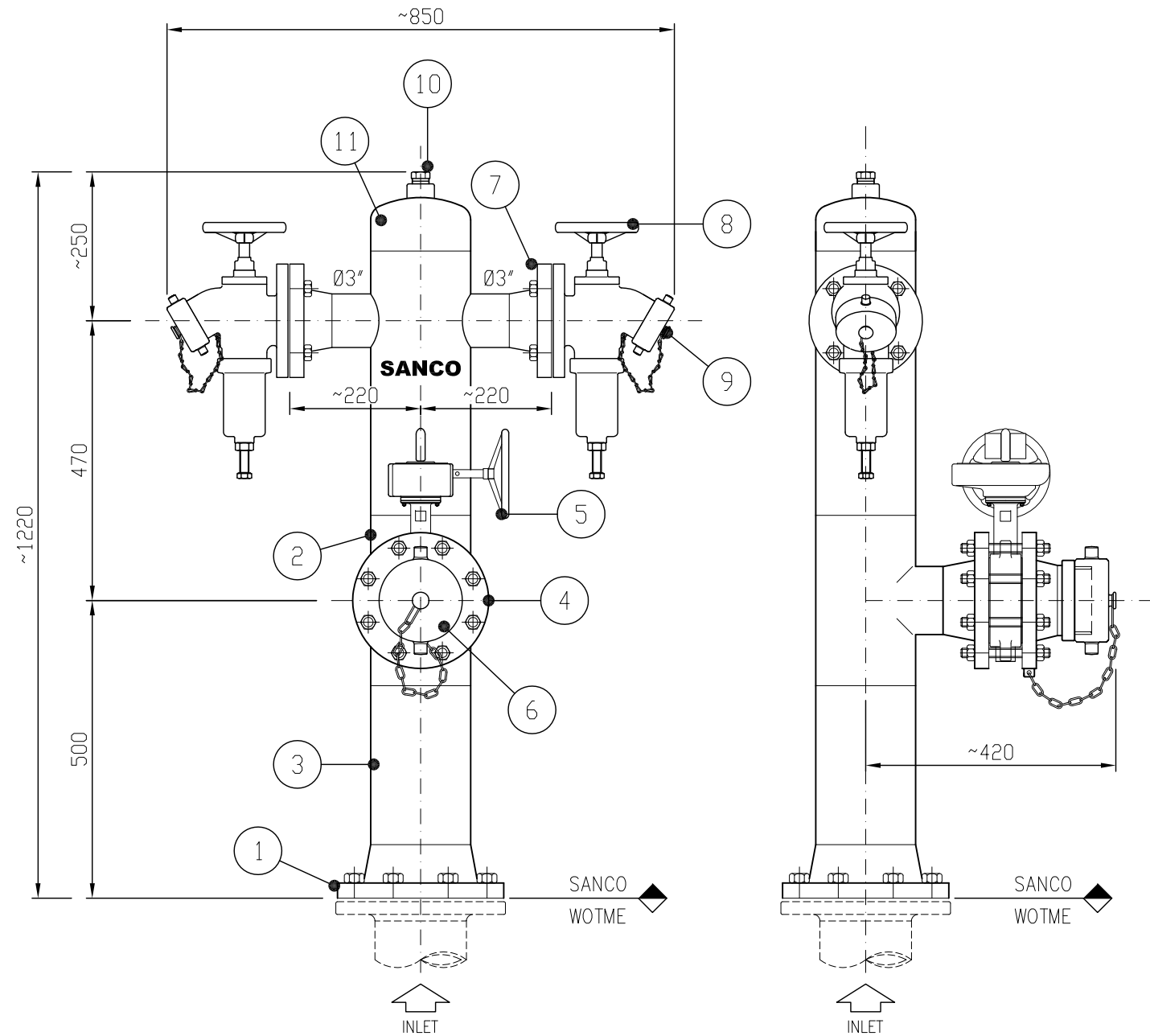


Foam Wet Barrel Fire Hydrant
dimensions in mm; weight in kg/pc



Weight.....~100 Kg

HYDRANT PAINTING

- Internally: Fusion-Bonded Epoxy Painted
- Externally: RED RAL 3001

NOTE

- For flange Ø3": galv. ASTM A193 Gr.B7 studbolts 5/8"x100mm c/w galv. ASTM A194 Gr.2H nuts and washers supplied by SANCO
- For flange Ø4": galv. ASTM A193 Gr.B7 studbolts 5/8"x150mm c/w galv. ASTM A194 Gr.2H nuts and washers supplied by SANCO
- For flange Ø6": galv. ASTM A193 Gr.B7 studbolts 3/4"x100mm c/w galv. ASTM A194 Gr.2H nuts and washers supplied by WOTME

SUPPLIED QUANTITY: 27 PIECES FOAM HYDRANT (TAG N. 2511-FH-01 TO 2511-FH-27)

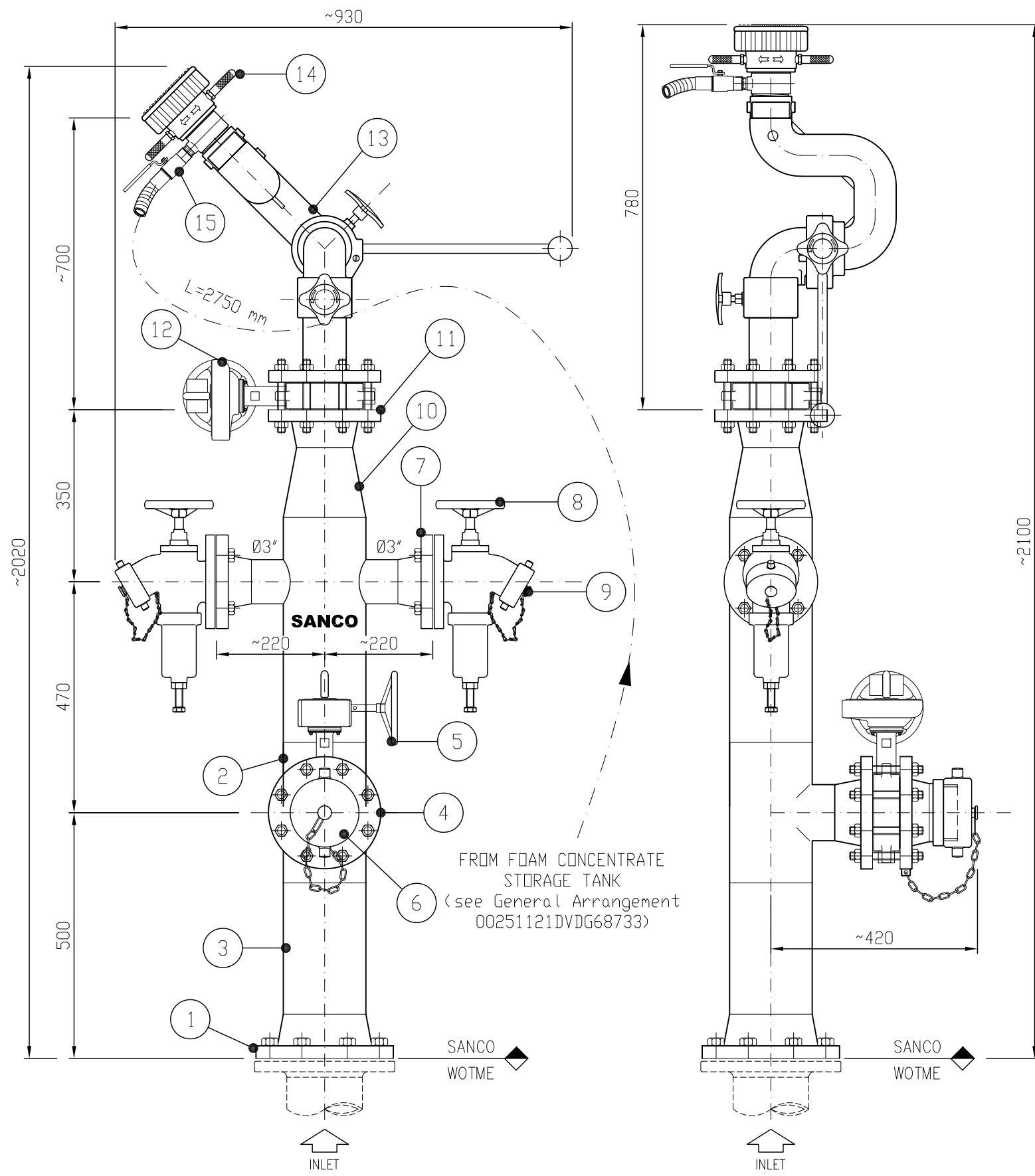
POS.	DESCRIPTION	MATERIAL
1	Ø6" INLET FLANGE ANSI 150# FF W.N.	ASTM A105
2	REDUCTION TEE 6"x4"x6"	ASTM A234
3	HYDRANT BODY - PIPE Ø6" SCH.40	ASTM A106 Gr. B
4	Ø4" FLANGE ANSI 150# FF W.N.	ASTM A105
5	Ø4" BUTTERFLY VALVE WAFER TYPE C/W HANDWHEEL (SEE DATA SHEET N. 00251121DVG68744)	DUCTILE IRON
6	Ø4" MALE NH COUPLING C/W CAP AND CHAIN	BRONZE
7	Ø3" FLANGE ANSI 150# FF W.N.	ASTM A105
8	Ø2½" PRESSURE REDUCING VALVE (SEE DATA SHEET N. 00251121DVG68763)	BRONZE
9	Ø2½" MALE NH COUPLING C/W CAP AND CHAIN	BRONZE
10	Ø3/4" PLUG ASA3000# NPT M	MONEL
11	Ø6" CAP	ASTM A234

AB AB [Signature]

EX-AB	00	25/07/2014	AS BUILT	A.Bernardo	A.Bernardo	D.Parzio	R.Bhanushali	E.Yacoub
EX-CO	02	10/02/2014	ISSUED FOR CONSTRUCTION	A.Bernardo	A.Bernardo	D.Parzio	R.Bhanushali	E.Yacoub
EX-CO	01	03/02/2014	ISSUED FOR CONSTRUCTION	A.Bernardo	A.Bernardo	D.Parzio	R.Bhanushali	E.Yacoub
EX-CO	00	22/01/2014	ISSUED FOR CONSTRUCTION	A.Bernardo	A.Bernardo	D.Parzio	R.Bhanushali	E.Yacoub
EX-DE	00	09/12/2013	FIRST ISSUE	A.Bernardo	A.Bernardo	D.Parzio	R.Bhanushali	E.Yacoub
Validity Status	Rev. number	Date	Description	Prepared by	Checked by	Approved by	Contractor Approval	Company Approval
Revision index								
Contractor logo and business name eni eni iraq b.v.				Project name ZUBAIR OIL FIELD DEVELOPMENT PROJECT		Company identification 00251121DVG68736 Job No.		
Contractor logo and business name Weatherford Weatherford Oil Tool Middle East				Contractor identification P12-1050 Contract No.				
Vendor logo and business name SANCO Fire Protection and Safety Technology VIA RAVENNA 137A - BOLOGNA GALLARATE (CHIVASSO) - ITALY				Vendor identification SA-015200-049 Order No.				
Facility Name HAMMAR IPF		Location ONSHORE		Scale 1:10		Sheet of Sheets 1 of 3		
Document Title General Arrangement - Foam Hydrants Hammar - Fire water & Foam system				Supersedes No. Superseded by No.		Plant Area Plant Unit		

Foam Wet Barrel Fire Hydrant with Foam Monitor

dimensions in mm; weight in kg/pc



POS.	DESCRIPTION	MATERIAL
1	Ø6" INLET FLANGE ANSI 150# FF W.N.	ASTM A105
2	REDUCTION TEE 6"x4"x6"	ASTM A234
3	HYDRANT BODY - PIPE Ø6" SCH.40	ASTM A106 Gr. B
4	Ø4" FLANGE ANSI 150# FF W.N.	ASTM A105
5	Ø4" BUTTERFLY VALVE WAFER TYPE C/W HANDWHEEL (SEE DATA SHEET N. 00251121DVG68744)	DUCTILE IRON
6	Ø4" MALE NH COUPLING C/W CAP AND CHAIN	BRONZE
7	Ø3" FLANGE ANSI 150# FF W.N.	ASTM A105
8	Ø2½" PRESSURE REDUCING VALVE (SEE DATA SHEET N. 00251121DVG68763)	BRONZE
9	Ø2½" MALE NH COUPLING C/W CAP AND CHAIN	BRONZE
10	CONCENTRIC REDUCTION 6"x4"	ASTM A234
11	Ø4" FLANGE ANSI 150# FF W.N.	ASTM A105
12	Ø4" BUTTERFLY VALVE WAFER TYPE C/W HANDWHEEL (SEE DATA SHEET N. 00251121DVG68744)	DUCTILE IRON
13	FOAM MONITOR C/W S.S. HANDLEBAR (SEE DATA SHEET N. 00251121DVG68767)	BRONZE
14	ADJUSTABLE FOAM NOZZLE C/W FOAM CONCENTRATE PICK-UP TUBE Ø 1½"	BRONZE
15	Ø 1¼" NPT ISOLATION VALVE	NICKEL-PLATED BRASS / AISI (ball)

NOTE

- For flange Ø3": galv. ASTM A193 Gr.B7 studbolts 5/8"x100mm c/w galv. ASTM A194 Gr.2H nuts and washers supplied by SANCO
- For flange Ø4": galv. ASTM A193 Gr.B7 studbolts 5/8"x150mm c/w galv. ASTM A194 Gr.2H nuts and washers supplied by SANCO
- For flange Ø6": galv. ASTM A193 Gr.B7 studbolts 3/4"x100mm c/w galv. ASTM A194 Gr.2H nuts and washers supplied by WOTME

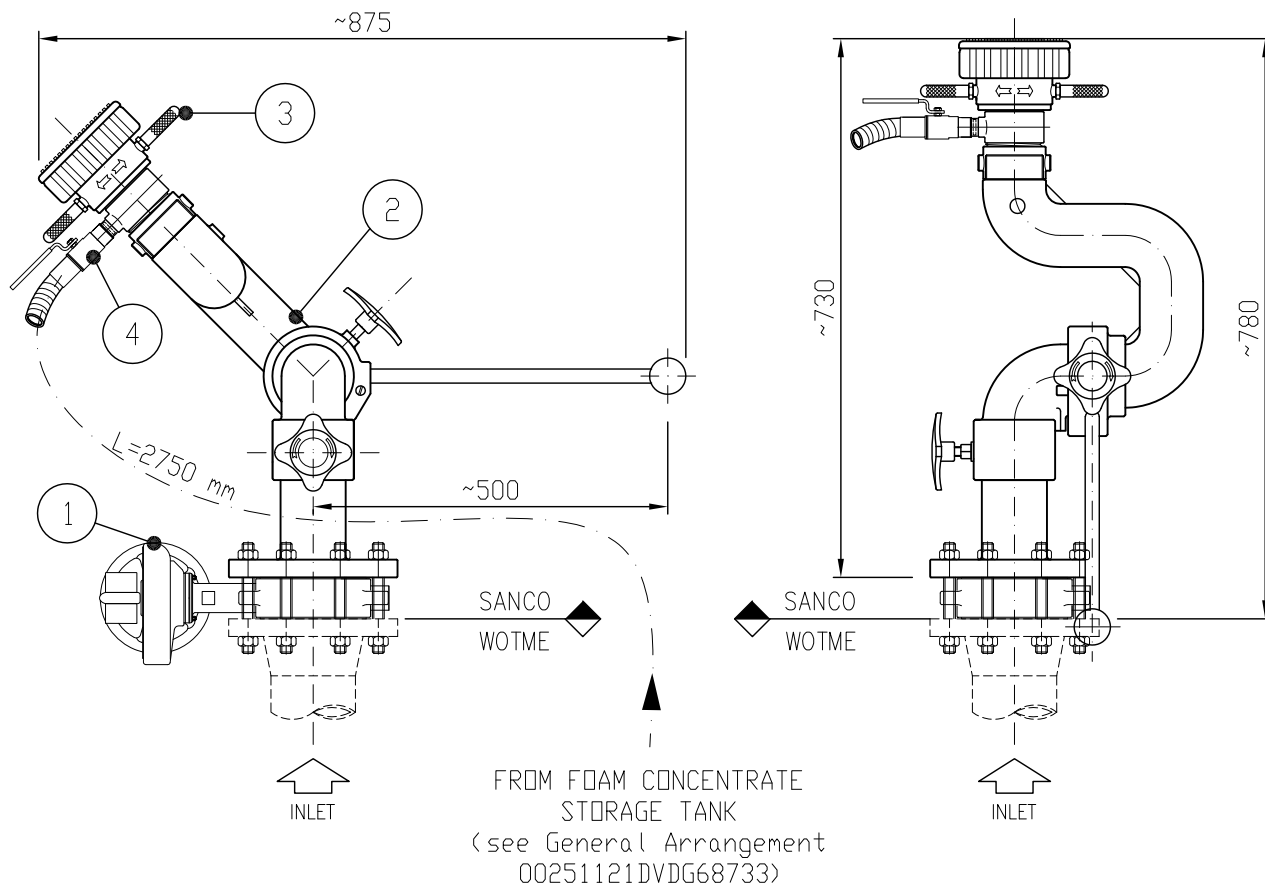
Weight.....~170 Kg

HYDRANT PAINTING
 - Internally: Fusion-Bonded Epoxy Painted
 - Externally: RED-RAL 3001

SUPPLIED QUANTITY: 12 PIECES FOAM MONITOR HYDRANT (TAG N. 2511-FMH-01 TO 2511-FMH-12)

EX-AB	00	25/07/2014	AS BUILT	A.Bernardo	A.Bernardo	D.Parzio	R.Bhanushali	E.Yacoub
EX-CO	02	10/02/2014	ISSUED FOR CONSTRUCTION	A.Bernardo	A.Bernardo	D.Parzio	R.Bhanushali	E.Yacoub
EX-CO	01	03/02/2014	ISSUED FOR CONSTRUCTION	A.Bernardo	A.Bernardo	D.Parzio	R.Bhanushali	E.Yacoub
EX-CO	00	22/01/2014	ISSUED FOR CONSTRUCTION	A.Bernardo	A.Bernardo	D.Parzio	R.Bhanushali	E.Yacoub
EX-DE	00	09/12/2013	FIRST ISSUE	A.Bernardo	A.Bernardo	D.Parzio	R.Bhanushali	E.Yacoub
Validity Status	Rev. number	Date	Description	Prepared by	Checked by	Approved by	Contractor Approval	Company Approval
Revision index								
Contractor logo and business name eni iraq b.v.				Project name ZUBAIR OIL FIELD DEVELOPMENT PROJECT		Company identification 00251121DVG68736		
Contractor logo and business name Weatherford Oil Tool Middle East				Contractor identification P12-1050		Contract No.		
Vendor logo and business name SANCO Fire Protection and Safety Technology				Vendor identification SA-015200-049		Order No.		
Facility Name HAMMAR IPF		Location ONSHORE		Scale 1:10		Sheet of Sheets 2 of 3		
Document Title General Arrangement - Foam Hydrants Hammar - Fire water & Foam system				Supersedes No. Superseded by No.		Plant Area Plant Unit		

Foam Monitor
dimensions in mm; weight in kg/pc



FROM FOAM CONCENTRATE STORAGE TANK
(see General Arrangement 00251121DVG68733)

Weight.....~60 Kg

MONITOR PAINTING
- Externally: RED-RAL 3001

NOTE
- Ø4" butterfly valve wafer type c/w handwheel supplied loose
- For flange Ø4": galv. ASTM A193 Gr.B7 studbolts 5/8"x150mm
c/w galv. ASTM A194 Gr.2H nuts and washers supplied by WOTME

SUPPLIED QUANTITY: 3 PIECES FOAM MONITOR (TAG N. 2511-FMH-01 TO 2511-FM-03)

POS.	DESCRIPTION	MATERIAL
1	Ø4" BUTTERFLY VALVE WAFER TYPE C/W HANDWHEEL (SEE DATA SHEET N. 00251121DVG68744)	DUCTILE IRON
2	FOAM MONITOR C/W S.S. HANDLEBAR (SEE DATA SHEET N. 00251121DVG68767)	BRONZE
3	ADJUSTABLE FOAM NOZZLE C/W FOAM CONCENTRATE PICK-UP TUBE Ø 1½" (SEE DATA SHEET N. 00251121DVG68767)	BRONZE
4	Ø 1¼" NPT ISOLATION VALVE	NICKEL-PLATED BRASS / AISI (ball)

Validity Status	Rev. number	Date	Description	Prepared by	Checked by	Approved by	Contractor Approval	Company Approval
EX-AB	00	25/07/2014	AS BUILT	A.Bernardo	A.Bernardo	D.Parzio	R.Bhanushali	E.Yacoub
EX-CD	02	10/02/2014	ISSUED FOR CONSTRUCTION	A.Bernardo	A.Bernardo	D.Parzio	R.Bhanushali	E.Yacoub
EX-CD	01	03/02/2014	ISSUED FOR CONSTRUCTION	A.Bernardo	A.Bernardo	D.Parzio	R.Bhanushali	E.Yacoub
EX-CD	00	22/01/2014	ISSUED FOR CONSTRUCTION	A.Bernardo	A.Bernardo	D.Parzio	R.Bhanushali	E.Yacoub
EX-DE	00	09/12/2013	FIRST ISSUE	A.Bernardo	A.Bernardo	D.Parzio	R.Bhanushali	E.Yacoub

Contractor logo and business name eni eni iraq b.v.		Project name ZUBAIR OIL FIELD DEVELOPMENT PROJECT		Company identification 00251121DVG68736	
Contractor logo and business name Weatherford Weatherford Oil Tool Middle East		Contractor identification P12-1050		Contract No.	
Vendor logo and business name SANCO Fire Protection and Safety Technology		Vendor identification SA-015200-049		Order No.	
Facility Name HAMMAR IPF		Location ONSHORE		Scale 1:10	Sheet of Sheets 3 of 3
Document Title General Arrangement - Foam Hydrants Hammar - Fire water & Foam system				Supersedes No. Superseded by No. Plant Area Plant Unit	

AB AB PD