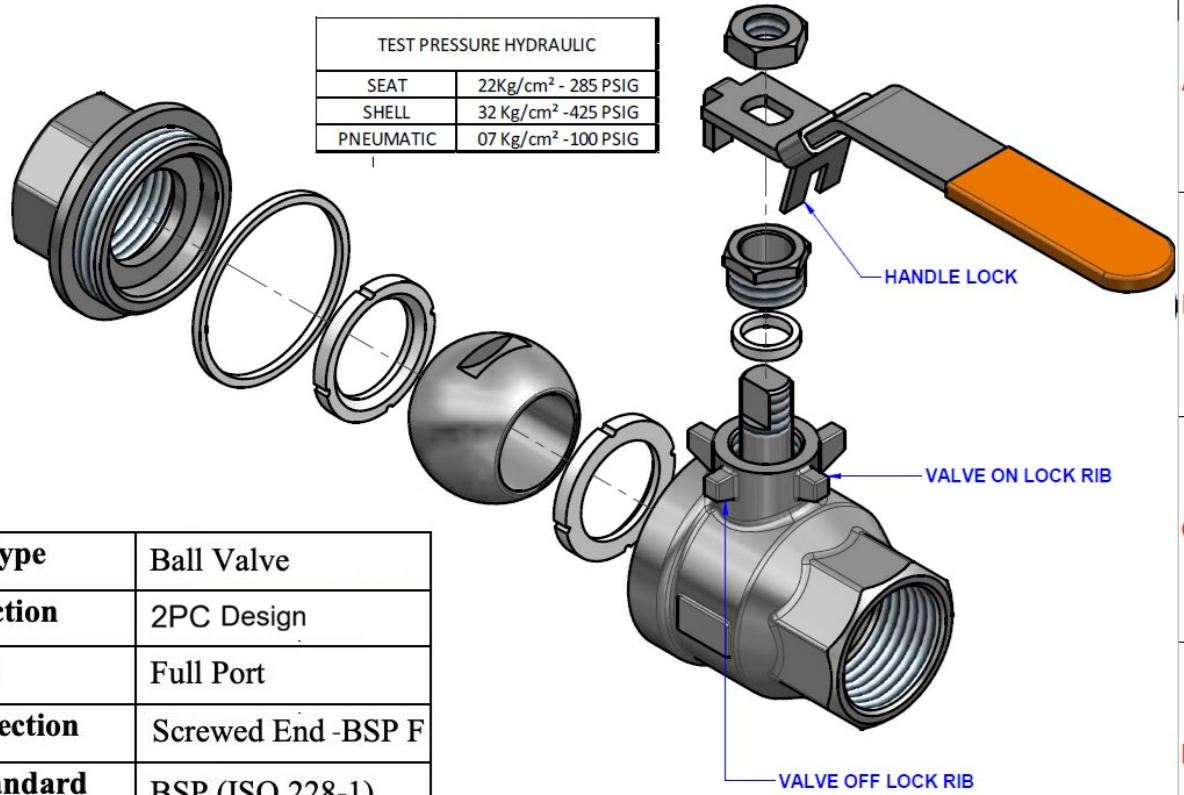


TEST PRESSURE HYDRAULIC	
SEAT	22Kg/cm ² - 285 PSIG
SHELL	32 Kg/cm ² - 425 PSIG
PNEUMATIC	07 Kg/cm ² - 100 PSIG



Valve Type	Ball Valve
Construction	2PC Design
Port	Full Port
End Connection	Screwed End -BSP F
Thread Standard	BSP (ISO 228-1)
Design Standard	BS 5351
Testing & Inspection Standard	API 598
Pressure Class	Class 150
Operation	Lever Operated
Stem Design	Blow-out Proof

Technical Specification :-

- ▶ End Connection : ASME B 16.11/
- ▶ Design Standard : BS EN ISO 17292/ASME B 16.34
- ▶ Test Standard : API 598/BS 6755
- ▶ Face to Face : MANUFACTURING
- ▶ Seat Leakage Class : VI

DIMENSIONAL TABLE

Size (NB)	A (mm)	ØC (mm)	L (mm)	Thread (BSP)
15	63	13	155	1/2"
25	82.7	25	160	1"
50	122	50	178	2"

MFG. BY.	SUPREME ENTERPRIZE - AHMEDABAD			
CLIENT		DRAWN	DESIGN	CHKD
ORDER NO.		NAME	N.R.K	N.R.K
DRAWING NO	SV - BLV - SE - F-R0	DATE	21/12	21/12
Rew.				
DIMENSIONAL DRAWING	2", 2PC SCREW END FEMALE X FEMALE BALL VALVE			
CLASS :150#	SIZE: 15MM , 25MM , 50MM	PROJECTION		
RATING : PN 16		SHEET :- 1:1		
		DATE :- 21.12.21		