







## ENI – IRAQ

### ZUBAIR OIL FIELD DEVELOPMENT PROJECT

#### DATA SHEET – PRESSURE REGULATING HYDRANT VALVES

AB AB [Signature] [Signature]

EX-AB	00	04/09/2014	As Built	A.Bernardo	A.Bernardo	D.Porzio	R.Bhanusha li	E.Yacoub
EX-CO	00	29/07/2014	Issued for Construction	A.Bernardo	A.Bernardo	D.Porzio	R.Bhanusha li	E.Yacoub
EX-DE	00	10/03/2014	First Issue	A.Bernardo	A.Bernardo	D.Porzio	R.Bhanusha li	E.Yacoub
Validity Status	Rev. number	Date	Description	Prepared by	Checked by	Approved by	Contractor Approval	Company Approval
Revision Index								
Company logo and business name  <b>eni iraq b.v.</b>			Project name <b>ZUBAIR OIL FIELD DEVELOPMENT</b>		Company Identification 00250921DVGA68763 Job N.			
Contractor logo and business name  <b>Weatherford</b> Weatherford Oil Tools Middle East					Contractor Identification P12-1050 Contract N.			
Vendor logo and business name  <b>SANCO</b> Fire Protection and Safety Technology					Vendor Identification SA-015249-050 Order N.			
Facility Name <b>ZUBAIR IPF</b>			Location <b>ONSHORE</b>		Scale <b>n.a.</b>		Sheet of Sheets <b>1 of 5</b>	
Document Title <b>DATA SHEET – PRESSURE REGULATING HYDRANT VALVES</b>					Supersedes N.			
					Superseded by N.			
					Plant Area <b>n.a.</b>		Plant Unit <b>n.a.</b>	

	Company Identification	Owner Identification	Revision Index		Sheet of Sheets <b>2 / 5</b>
	00250921DVGA68763	SA-015249-050	Validity Status	Rev. N.	
			<b>EX-AB</b>	<b>00</b>	

### REVISION HISTORY




Rev.	Date	Nr. of sheets	Description
EXDE00	10/03/2014	5	First Issue
EXCO00	29/07/2014	5	Issued for Construction
EXAB00	04/09/2014	5	As Built

# SANCO

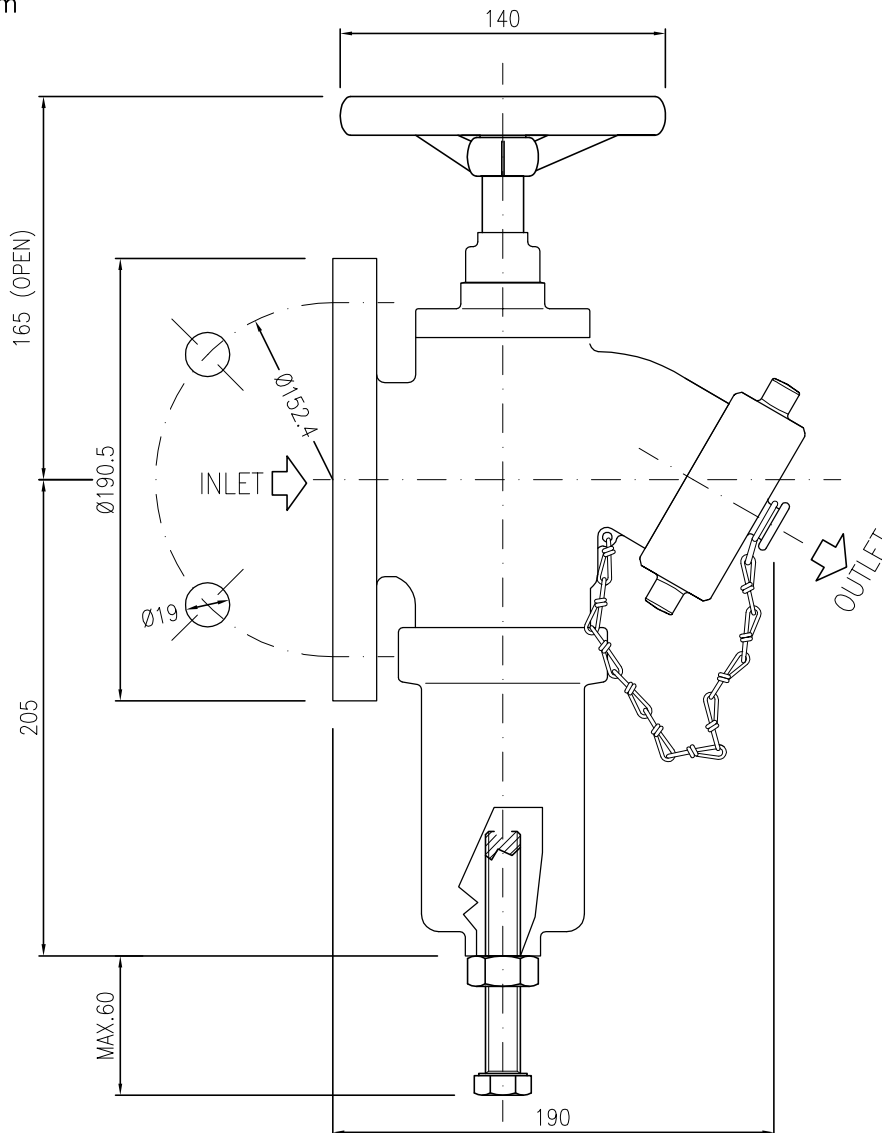
Fire Protection and Safety Technology

Title DATA SHEET - PRESSURE REGULATING HYDRANT VALVES	Document No. SANCO No.: SA-015249-050 PROJECT No.: 00250921DVGA68763	Document Rev. 2	Sheet 3	Of 5
---	--	--------------------	------------	---------

## INDEX

POS.	SANCO Doc. No.	DESCRIPTION	N° of Sheet	REVISION			
				0	1	2	3
1	SA-015249-050	DATASHEET - PRESSURE REGULATING OPEN/CLOSE HYDRANT VALVE	2				

Dimensions in mm



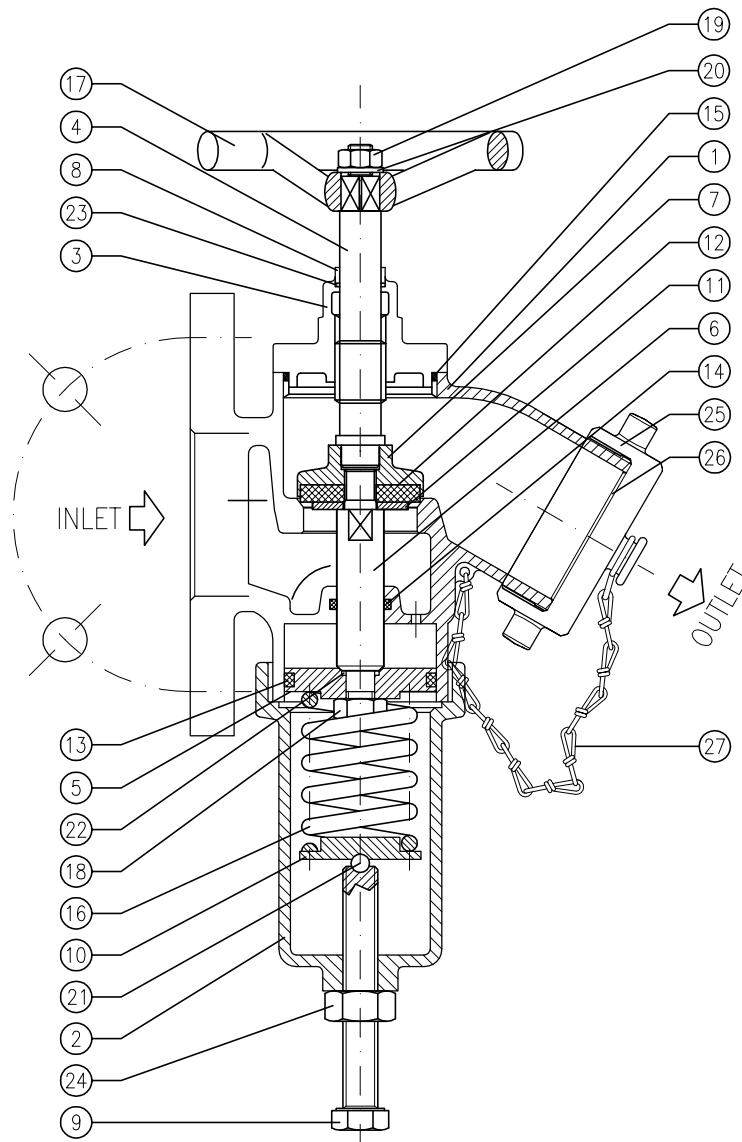
### TECHNICAL DATA

Model.....Art. n° 03.23.01  
 Inlet connection.....Flange Ø3"ANSI 150 lbs FF  
 Outlet connection.....NH 2½" male with blank-cap and chain  
 Inlet Pressure.....max 20 bar  
 Outlet Pressure.....7 bar  
 Adjustable Outlet Pressure.....3 up to 10 bar  
 Admissible Temperature.....-20°C up to +80°C  
 Body Material.....Bronze  
 Finishing.....Natural  
 APP./STD.....CE  
 Manufacturer.....GOEPFERT

**SUPPLIED QUANTITY: 68 PIECES FOR HYDRANTS  
 14 PIECES FOR HYDRANTS WITH MONITOR**

Rev.	Date/Data	Description/Descrizione	Issued/Emesso	Check/Contr	Approval/Approv.
2	04/09/14	AS BUILT	C.DM.	A.B.	D.P.
1	29/07/14	ISSUED FOR CONSTRUCTION	C.DM.	A.B.	D.P.
0	10/03/14	ISSUED	C.DM.	A.B.	D.P.

Dimensions in mm



Pos.	NAME	MATERIAL acc. DIN	Pos.	NAME	MATERIAL acc. DIN
1	BODY BIB-NOSE	CuSn5Zn5Pb5-C	14	X-RING 21,82x3,53	NBR
2	CAP	CuSn5Zn5Pb5-C	15	O-RING 68x3	NBR
3	BONNET	CuSn5Zn5Pb5-C	16	SPRING	50CrV4
4	STEM	CuZn35Ni	17	HANDWHEEL 140x12	GG 25 / red varnished
5	PISTON	CuZn35Ni	18	HEXAGON NUT M12	A4-70
6	GUIDE BOLT	CuZn35Ni	19	HEXAGON NUT M10	1.4301
7	DISC	CuZn35Ni	20	WASHER 10,5	1.4401
8	CAP SCREW	CuZn35Ni	21	BALL	1.3541
9	ADJUSTING SCREW	1.4301	22	O-RING 12x2,5	NBR
10	SPRING PLATE FOR ADJ. SCREW	CuZn39Pb3	23	O-RING 18x2,5	NBR
11	WASHER 17	1.4401	24	HEXAGON NUT M16	1.4301
12	DISC SEALING	NBR	25	BLANK-CAP	CuSn5Zn5Pb5-C
13	X-RING 53,34x5,33	NBR	26	SEALING RING	NBR
			27	CHAIN	1.4301

2	04/09/14	AS BUILT	C.DM.	A.B.	D.P.
1	29/07/14	ISSUED FOR CONSTRUCTION	C.DM.	A.B.	D.P.
0	10/03/14	ISSUED	C.DM.	A.B.	D.P.
Rev.	Date/Data	Description/Descrizione	Issued/Emesso	Check/Contr	Approval/Approv.